



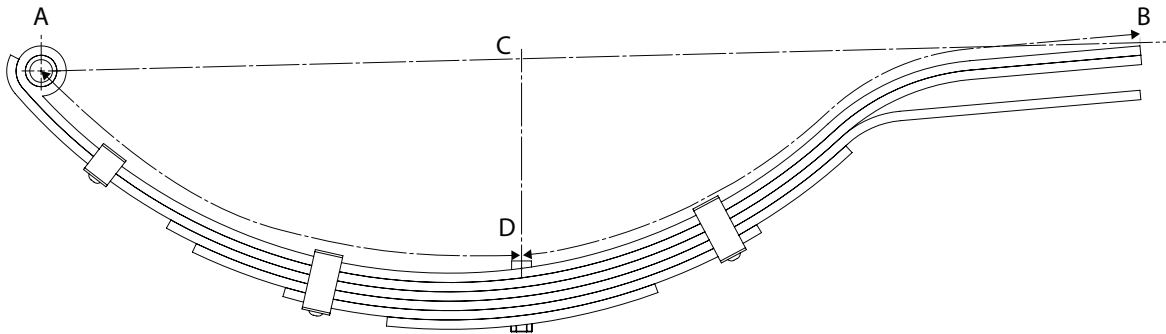
## How to measure springs/spring order form Eye & slipper spring

### RECORD SPRING MEASUREMENTS AS FOLLOWS

**Step 1.** Measure along the edge of the main leaf following the curvature (i.e. follow the top leaf ) from the centre of the eye (A) to the centre of the bolt hole (D).

**Step 2.** Repeat the same from the tail end of spring (B) to centre of the bolt hole (D).

**Step 3.** Measure (C to D) and give approximate camber.



### PLEASE PROVIDE THE FOLLOWING MEASUREMENTS AS ACCURATELY AS POSSIBLE

- |                                      |                                      |
|--------------------------------------|--------------------------------------|
| 1. Measurement of leaf (A - D) _____ | 2. Measurement of leaf (B - D) _____ |
| 3. Camber of spring (C - D) _____    | 4. Width of spring _____             |
| 5. Number of leaves _____            | 6. Steel thickness _____             |
| 7. Diameter of shackle pins _____    | 8. Grease type pins Yes / No         |
| 9. Diameter of centre bolt _____     |                                      |

### Please Note:

- All other leaves are measured the same as the main leaf
- The main leaf is always No 1. or the longest leaf.
- A - D and D - B follow the curve of the spring leaf.
- Tandem spring assemblies centre bolt is usually off-set ( i.e Not in the centre of the spring )

For further assistance please contact Melbourne Trailer & Caravan Supplies



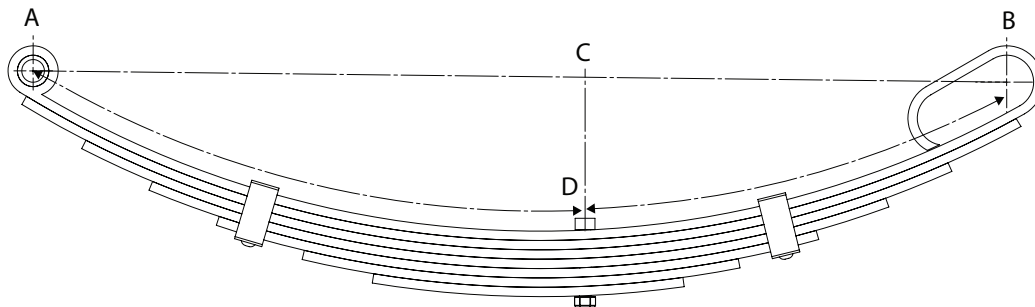

## How to measure springs/spring order form Rocker roller spring

### RECORD SPRING MEASUREMENTS AS FOLLOWS

**Step 1.** Measure along the edge of the main leaf following the curvature (i.e. follow the top leaf ) from the centre of the eye (A) to the centre of the bolt hole (D).

**Step 2.** Repeat the same from the centre of the rear loop as indicated in the diagram below (B) to centre of the bolt hole (D).

**Step 3.** Measure (C to D) and give approximate camber.



### GIVE THE FOLLOWING MEASUREMENTS AS ACCURATELY AS POSSIBLE

- |                                      |                                      |
|--------------------------------------|--------------------------------------|
| 1. Measurement of leaf (A - D) _____ | 2. Measurement of leaf (B - D) _____ |
| 3. Camber of spring (C - D) _____    | 4. Width of spring _____             |
| 5. Number of leaves _____            | 6. Steel thickness _____             |
| 7. Diameter of shackle pins _____    | 8. Grease type pins Yes / No         |
| 9. Diameter of centre bolt _____     |                                      |

### Please Note:

- All other leaves are measured the same as the Main leaf
- The main leaf is always No 1. or the longest leaf.
- A - D and D - B follow the curve of the spring leaf.
- Tandem spring assemblies centre bolt is usually off-set ( i.e Not in the centre of the spring )

For further assistance please contact Melbourne Trailer & Caravan Supplies



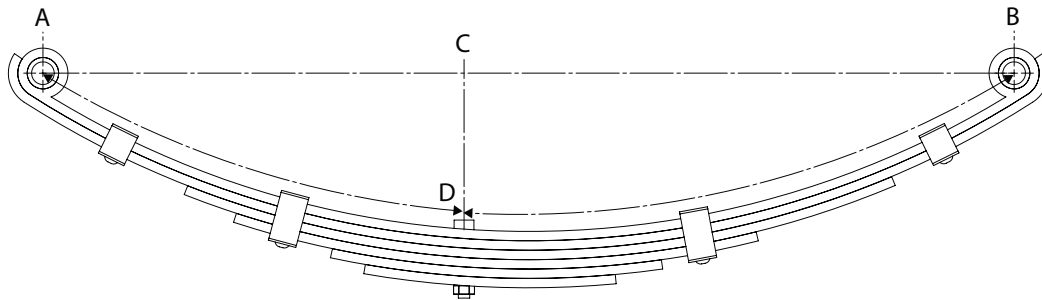

## How to measure springs/spring order form Eye & eye

### RECORD SPRING MEASUREMENTS AS FOLLOWS

**Step 1.** Measure along the edge of the main leaf following the curvature (i.e. follow the top leaf ) from the centre of the eye (A) to the centre of the bolt hole (D).

**Step 2.** Repeat the same from the tail end of spring (B) to the centre of the bolt hole (D).

**Step 3.** Measure (C to D) and give approximate camber.



### GIVE THE FOLLOWING MEASUREMENTS AS ACCURATELY AS POSSIBLE

### GIVE THE FOLLOWING MEASUREMENTS AS ACCURATELY AS POSSIBLE

- |                                      |                                      |
|--------------------------------------|--------------------------------------|
| 1. Measurement of leaf (A - D) _____ | 2. Measurement of leaf (B - D) _____ |
| 3. Camber of spring (C - D) _____    | 4. Width of spring _____             |
| 5. Number of leaves _____            | 6. Steel thickness _____             |
| 7. Diameter of shackle pins _____    | 8. Grease type pins Yes / No         |
| 9. Diameter of centre bolt _____     | 10. Front or rear spring _____       |
|                                      | For Tandem only                      |

### Please Note:

- All other leaves are measured the same as the main leaf
- The main leaf is always No 1. or the longest leaf.
- A - D and D - B follow the curve of the spring leaf.
- Tandem spring assemblies centre bolt is usually off-set ( i.e Not in the centre of the spring )

For further assistance please contact Melbourne Trailer & Caravan Supplies